

Trouble-free dosing

Dosing head ventilation V



Trouble-free dosing

The dosing head ventilation V stands for trouble-free dosing of outgassing media. An automatic vent valve separates incoming gases, thereby enabling the independent re-aspiration of the pump given back pressure.

The dosing head ventilation can simply be replaced by the conventional dosing head from Lutz-Jesco MAGDOS dosing pumps sizes 05 – 15.

Simple installation

The dosing head ventilation is fitted with three connection valves. A part of the stroke volume and gas bubbles are returned to the tank during the pressure stroke via the upper vent valve (marked with an arrow). This permits re-aspiration of the pump, even given back pressure. The dosing head ventilation is fitted with an installation clip for the return hose to prevent it from kinking.

In contrast to conventional pressure valves, the spring-loaded pressure valve is located in the centre. An optionally-available angle connection prevents kinking of the pressure hose.

Functions

- Can be fitted to all MAGDOS dosing pumps sizes 05 – 15
- Capacity range of the dosing pump with dosing head ventilation V 0.39 – 13 l/h, up to 16 bar
- Easy to assemble
- High chemical resistance
- Transparent PMMA dosing head
- PVC valves and connections

Scope of delivery

- Dosing head
- Valves
- 1 kit of dosing head screw
- Hose clamp connection with return hose (2 m)

Note: The dosing pump is not included in the scope of delivery.

Technical data

| Dosing head ventilation V for MAGDOS sizes | | | 05 | 1 | 2 | 4 | 6 | 10 | 15 |
|---|-----------------|-----------|--------------------------|------|------|------|------|------|------|
| Delivery capacity at max. backpressure | | gph | 0.08 | 0.17 | 0.42 | 0.82 | 1.35 | 1.93 | 2.91 |
| | | ml/stroke | 0.04 | | 0.17 | 0.29 | 0.47 | 0.68 | 0.73 |
| Maximum delivery pressure | Normal mode | psi | 232 | | | | 116 | 87 | 44 |
| | Eco-Mode 1* | psi | 145 | | | | 87 | 58 | 29 |
| | Eco-Mode 2* | psi | 87 | | | | 58 | 29 | 15 |
| Delivery capacity at average backpressure | | gph | 0.10 | 0.21 | 0.50 | 0.92 | 1.51 | 2.11 | 3.44 |
| | | ml/stroke | 0.05 | | 0.20 | 0.33 | 0.54 | 0.74 | 0.86 |
| Average delivery pressure | | psi | 116 | | | | 58 | 44 | 15 |
| Max. viscosity | | mPa·s | 20 | | | | | | |
| Materials | Housing, valves | | PMMA, PVC | | | | | | |
| | Seals | | FPM or EPDM | | | | | | |
| Further components coming into contact with the media | | | PVDF, ceramic, Hastelloy | | | | | | |
| Approved ambient temperature | | °C / °F | 5 – 40 / 32 - 104 | | | | | | |
| Approved media temperature | | °C / °F | 35 / 95 | | | | | | |

* In the case of operation in Eco-Mode energy saving mode, the delivery capacity is 5-10 % less than in normal mode (with the same backpressure).

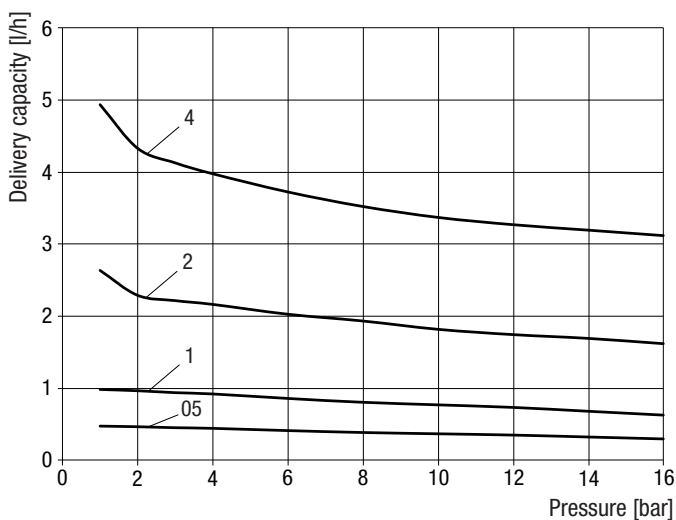
Delivery characteristic curves

When using the dosing head ventilation V, the delivery capacity is reduced in comparison to the use of a normal dosing head. Part of the pressure stroke is conveyed into the return hose to remove gas bubbles from the dosing head.

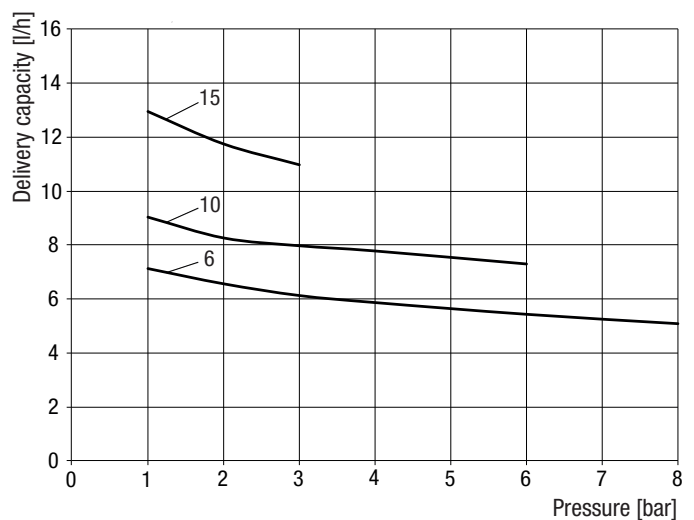
As such, the regular delivery capacity data of your dosing pump as specified in the sales documents no longer apply.

Comply with the following delivery capacity curves. The curves show which delivery capacity the dosing pump can provide given a specific back pressure. The values have been discerned on the test bench and apply at 20 °C (68 °F) for water and a stroke frequency of 100%. The character of the dosing medium (density, viscosity, temperature) changes the delivery capacity. The actual delivery capacity should be measured under operation conditions and adapted.

Dosing head ventilation V 05 – 4



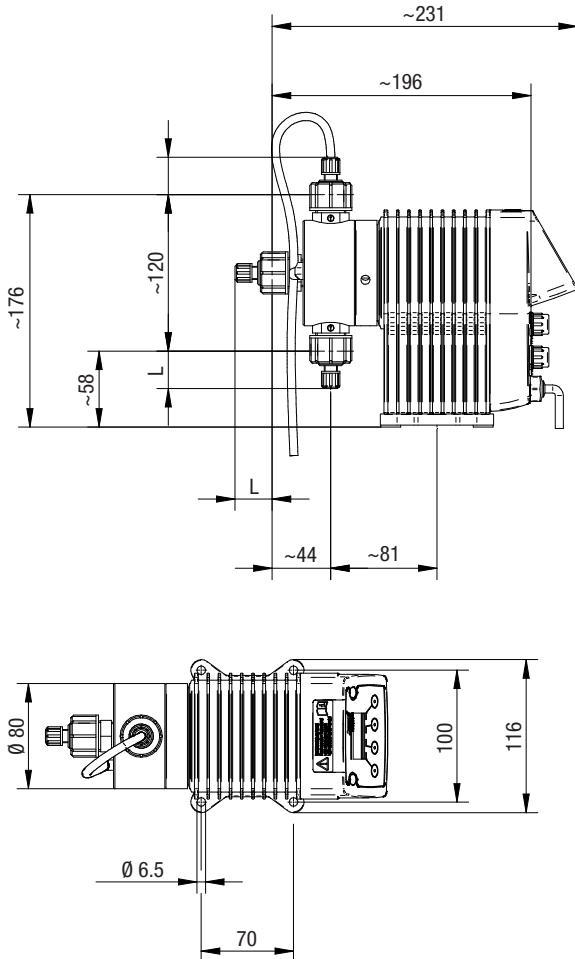
Dosing head ventilation V 6 – 15



Dimensions

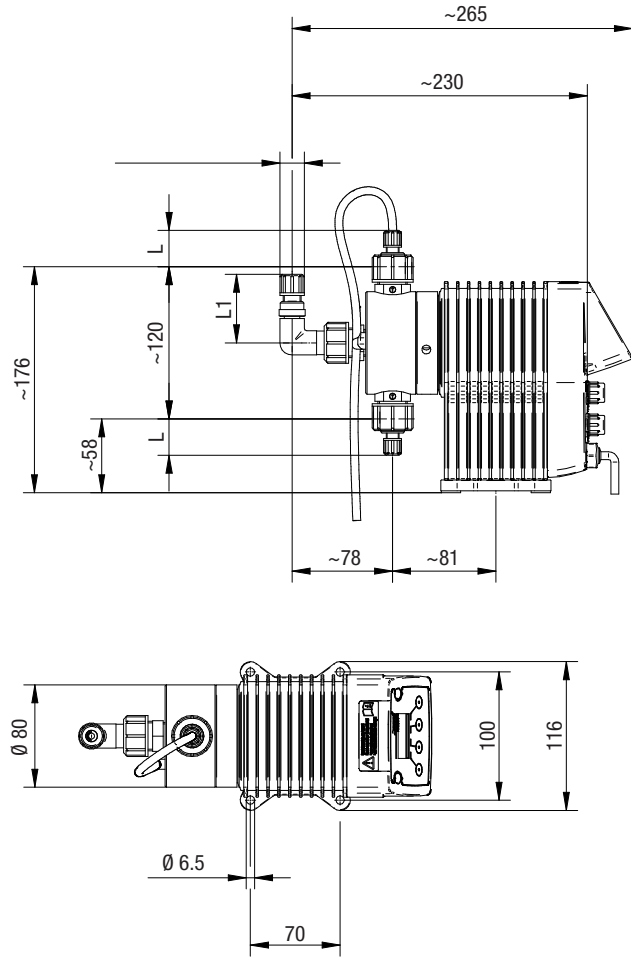
Dosing head ventilation V with MAGDOS

All dimensions in mm



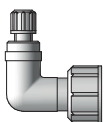
Dosing head ventilation V with MAGDOS and optionally-available angle connection

All dimensions in mm



| Connection | Material | Scale | Nominal width | L | L1 |
|-----------------------|----------|-------------|---------------|----|----|
| Hose clamp connection | PVC | 4/6 mm | DN4 | 31 | 47 |
| | | 1/4" x 3/8" | 1/4" | 34 | 54 |
| | | 6/9 mm | DN6 | 34 | 54 |
| | | 6/12 mm | DN6 | 15 | 62 |

Dosing head ventilation standard - accessories



Angle connection

To prevent the kinking of the pressure hose.

Available connections with union nut G5/8: 4/6, 6/9, 1/4"x3/8" and 6/12.



Hose clamp connection set

Hose clamp connection set complete for the suction and discharge side.

Nominal width DN4 for hose 4/6 mm and Nominal width DN6 for hose 6/9 mm, 6/12 mm.

Product Range

Lutz Pumpen GmbH
P.O. Box 1462 • D-97864 Wertheim
www.lutz-pumpen.com



Barrel and Container Pumps



Flow Meters



Double Diaphragm Pumps



Centrifugal Pumps

Product Range

Lutz-Jesco GmbH
P.O. Box 100164 • D-30891 Wedemark
www.lutz-jesco.com



Dosing Pumps



Chlorinators



Chemical Centrifugal Pumps



TECHNOPOL®
Products for the disinfection of swimming pool water based on salt water electrolysis and domestic water technology



Measuring and Control Equipment



Disinfection



System and Process Technology



The Lutz-Jesco App for iPads and iPhones is available from the iTunes App Store. Additional information can be found at www.lutz-jesco.com



Headquarters
Lutz-Jesco GmbH
Am Bostelberge 19
30900 Wedemark
Germany

Tel.: +49 5130 5802-0
Fax: +49 5130 580268

E-mail: info@lutz-jesco.com
Website: www.lutz-jesco.com

Hungary
Lutz-Jesco Üzetág
Vasvári P. u. 9.
9024 Győr
Hungary

Tel.: +36 96 419813
Fax: +36 96 419814

E-mail: info@lutz-jesco.hu
Website: www.lutz-jesco.hu

Austria
Lutz-Jesco GmbH
Aredstraße 7/2
2544 Leobersdorf
Austria

Tel.: +43 2256 62180
Fax: +43 2256 6218062

E-mail: info@lutz-jesco.at
Website: www.lutz-jesco.at

Netherlands
Lutz-Jesco Nederland B.V.
Nijverheidstraat 14 C
2984 AH Ridderkerk
Netherlands

Tel.: +31 180 499460
Fax: +31 180 497516

E-mail: info@lutz-jesco.nl
Website: www.lutz-jesco.nl



Great Britain
Lutz-Jesco (GB) Ltd.
Gateway Estate
West Midlands Freeport
Birmingham B26 3QD
Great Britain

Tel.: +44 121 782 2662
Fax: +44 121 782 2680

E-mail: info@lutz-jesco.co.uk
Website: www.lutz-jesco.co.uk

USA
Lutz-JESCO America Corp.
55 Bermar Park
Rochester, N.Y. 14624
USA

Tel.: +1 585 426-0990
Fax: +1 585 426-4025

E-mail: mail@jescoamerica.com
Website: www.lutzjescoamerica.com

East Asia
Lutz-Jesco East Asia Sdn Bhd
6 Jalan Saudagar U1/16
Hicom Glenmarie Industrial Park
40150 Shah Alam/ Selangor
Malaysia

Tel.: +603 55692322
Fax: +603 55691322

E-mail: info@lutz-jescoasia.com
Website: www.lutz-jescoasia.com

Middle East
Lutz-Jesco Middle East FZE
P.O. Box 9614
SAIF-Free Zone Center
Sharjah
UAE

Tel.: +971 6 5572205
Fax: +971 6 5572230

E-mail: info@jescome.com
Website: www.jescome.com

