



# DICE™

DICE™ DS/DM

Contact for information:

**Foust Marketing, Inc.**

P.O. Box 7413

The Woodlands, TX 77387

Tel: 281-296-2500

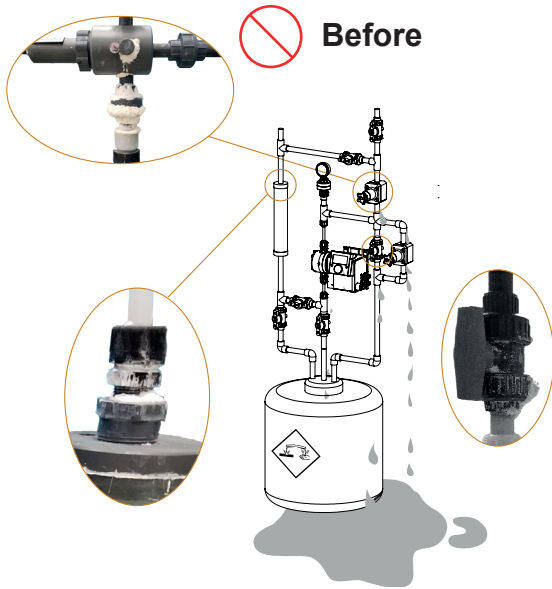
[sales@foustmarketing.com](mailto:sales@foustmarketing.com)

 **MEUNIER  
TECHNOLOGIES™**

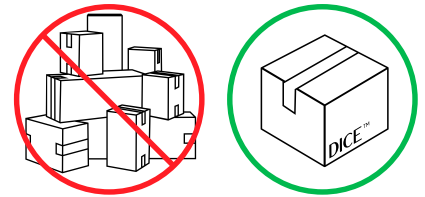
# REINVENTING THE CHEMICAL DOSING SYSTEM

No leaks

One box product



 Now



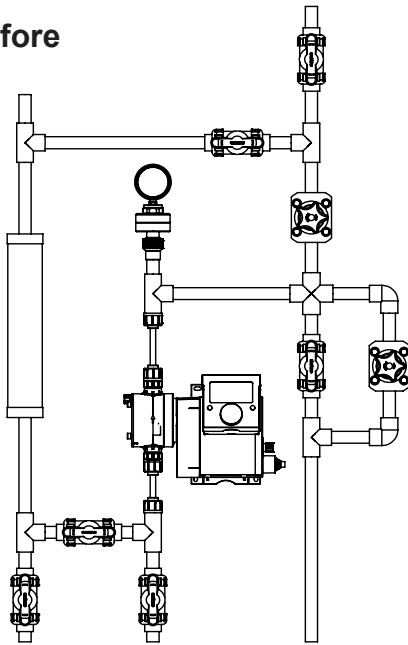
**DICE™**

No maintenance

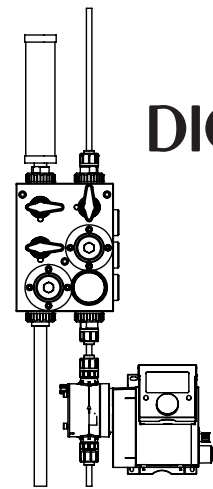


## INTRODUCING DICE™

 Before

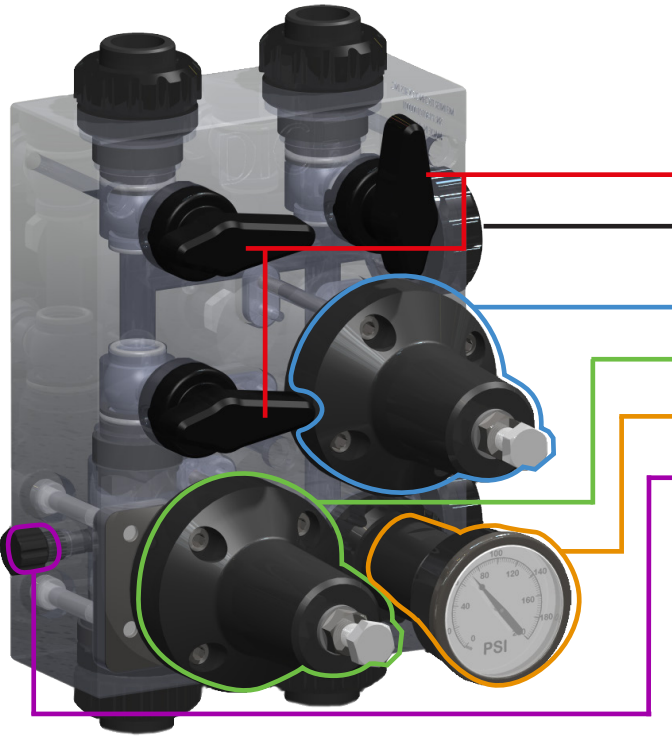


 Now



**DICE™**

2x  
Reduced  
Footprint



## FEATURES

### • Integrated:

Ball valves for outlet, calibration column, and drainage

Auxiliary ports: pulsation dampener, washing port, transport/dilution water and secondary pumps

Adjustable back pressure valve

Adjustable pressure relief valve

Pressure gauge with isolator

Bleed Valve

- Standard design that fits all your essential needs
- Extensive reliability and durability
- No threaded or glued connections
- Extremely compact design resulting in minimal footprint
- Easy to install on new and existing systems (retrofit) : only 3 supporting bolts and 4 connections
- Possibility to integrate the module to any chemical dosing pumps
- Possibility of having only 1 Dosing module for 3 pumps (1 injection point, 3 pumps)
- Capability of calibrating the pump with the correct suction head and discharge pressure
- Compatible with the widest range of chemicals
- Lockout option available
- Hydrostatic testing included on every module
- Warranty offered on our DICE™ products

## Patent Pending

The DICE™ Dosing Module integrates all the necessary discharge components required for a typical chemical dosing system. The block type design allows for a rigid, compact and reliable product. The significantly reduced number of connections is a major benefit as it greatly decreases the leakage potential. The module allows for better precision and protection in the dosing system. It also features great quality due to its machined fabrication.

The Dosing Module overcomes the many fundamental problems of the current piping system design such as: poor quality of the piping connections, many potential leakage points, excessive vibration caused by the pump pulsation (which leads to mechanical fatigue on connections and components) and the unjustified large footprint required.

## TECHNICAL INFORMATION

We offer a variety of wetted parts materials to suit your application needs.  
Acrylic, PVC, CPVC and PVDF

<b>Sizes</b>	1/2", 1"	<b>Valve Handle Material*</b>	Black ABS
<b>Connections</b>	Hose, Socket, NPT	<b>Diaphragm Material*</b>	VITTON, EPDM
<b>Body Material*</b>	Clear Acrylic (PMMA), PVC, PVDF	<b>Seal Material*</b>	VITTON, EPDM
<b>Component Material*</b>	PVC, CPVC, PVDF	<b>Pressure Relief Valve and Back Pressure Valve Adjustment Range</b>	0 to 150 PSI / 0 to 250 PSI
<b>Valve Seat Material*</b>	PTFE	<b>Pressure Gauge</b>	0 to 150 PSI / 0 to 250 PSI

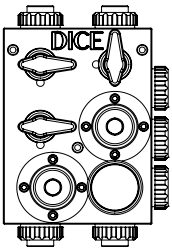
\*Other material can be supplied on request.

We always have spare parts in stock

© Meunier Technologies inc. 2020 - All rights reserved

## TYPICAL INTEGRATION

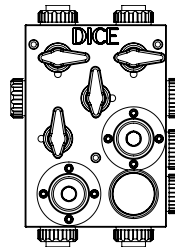
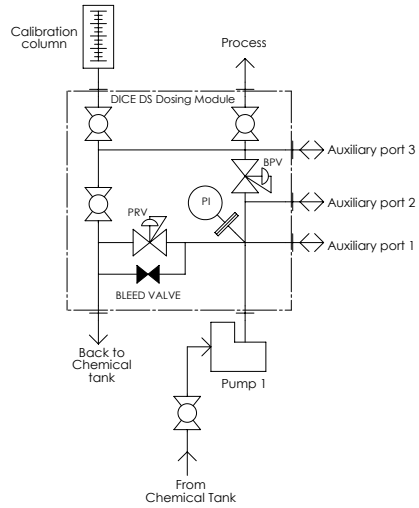




# DICE™ DS

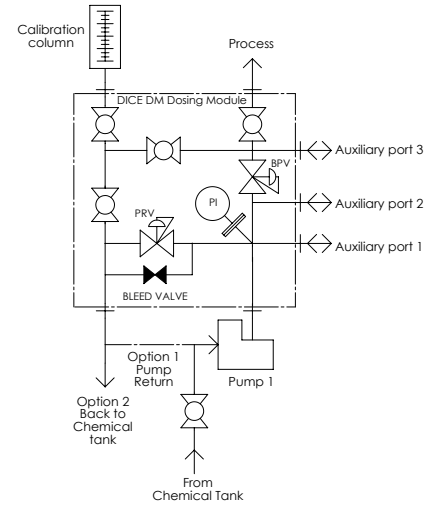
SUCTION LIFT

## P&ID

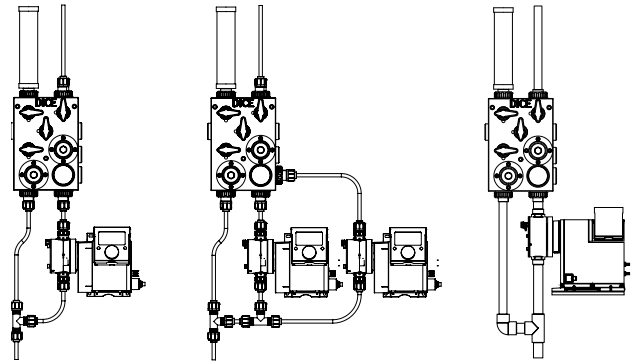
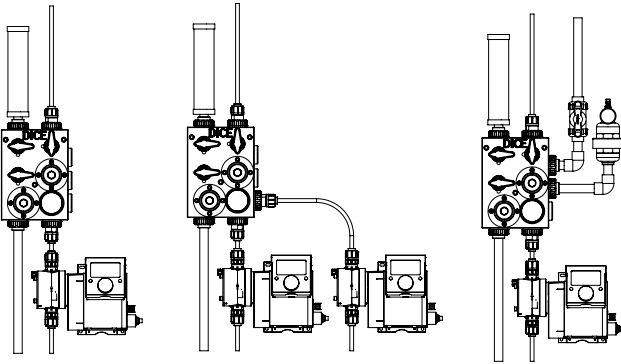


# DICE™ DM

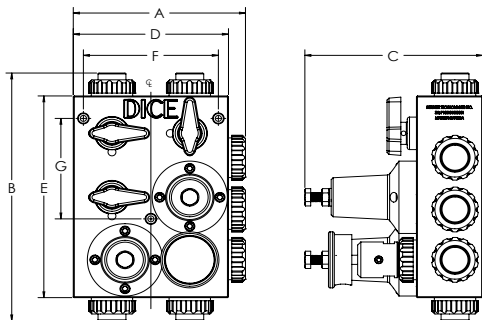
FLOODED SUCTION



## TYPICAL INSTALLATIONS



## DIMENSIONS



		DIMENSIONS mm (in)						
Size		A	B	C	D	E	F	G
1/2"	DS	187,4 (7.38)	280,8 (11.05)	193,4 (7.61)	168,9 (6.65)	228,6 (9.00)	146,9 (5.78)	113,9 (4.48)
	DM	218,6 (8.61)	312,5 (12.30)	193,4 (7.61)	181,6 (7.15)	260,3 (10.25)	159,6 (6.28)	145,7 (5.73)
1"	DM	269,0 (10.59)	376,0 (14.80)	232,7 (9.16)	223,0 (8.78)	296,0 (11.65)	194,0 (7.64)	150,0 (5.90)

For contact information:  
**Foust Marketing, Inc.**  
 P.O. Box 7413  
 The Woodlands, TX 77387  
 Tel: 281-296-2500  
 sales@foustmarketing.com