

LOW FLOW METERS

Pulsafeeder's Gear Low Flow Meters is a precision flow meter that provides metering to PULSAtron models with flow range of 0.25 to 1.85 GPH or 6.0 to 44.4 GPD. It is comprised of non-metallic wetted components, meter body and gears molded in PVDF. Gear cover to meter body is sealed with a Viton O-ring, and the magnet is ceramic for excellent chemical resistance. The Low Flow Meter comes standard with a bipolar latching hall effect sensor to detect gear rotation.

Purchased to integrate into the MicroVision EX controller and when used with PULSAlink, the Pulsafeeder Low Flow Meter opens up a whole new level of reporting. Your MicroVision EX controller can tell you the amount of each chemical used, when using Pulsafeeder's Low Flow Meter through Hall Effect (K factor) water meter input. The Low Flow Meter integrates into the MicroVision EX for calibrated results allowing plotting of chemical totalization through PULSAlink. This charting can be scaled with time and corroborates with probe readings and relay states it also plots the total chemical dosed into the system.



FEATURES

- Excellent precision and versatility
- Rugged construction
- Viscosity ranges up to 1000 cSt
- Works with PULSAtron models (flow range 0.25 - 1.85 GPH)
- +/-2% accuracy (calibrated)
- Approximate Pulses/Liter (water): 572
- Integrates into MicroVision EX through Hall Effect (K factor) water meter inputs for calibrated results
- Water Meter plots available on PULSAlink, helps water treaters adhere to required local compliance requirements

ADVANTAGES

With PULSAlink remotely know

- When your tank(s) needs chemical
- How much chemical went through the system
- Peace of mind - you know your pumps are feeding

Reporting - integrates into the MicroVision EX through Hall Effect (K factor)

- Plotting of chemical totalization through PULSAlink
- Charting can be scaled with time
- Corroborates with probe readings and relay states
- Plots the total chemical dosed into the system
- Custom names, colors, and report integration

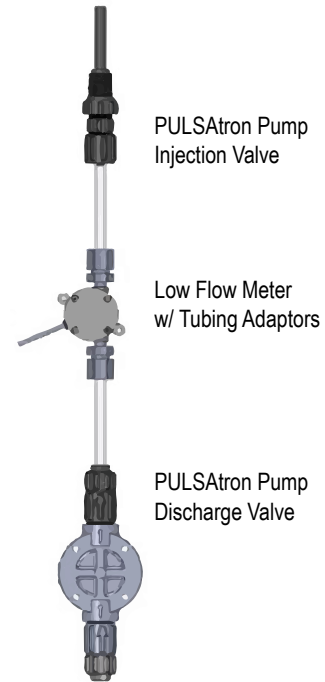
MODEL SELECTION

Low Flow Meter	
Part Number	Description
MTRGEAR-LF-KIT	Gear Low Flow Meter
MTRGEAR-LF-KIT-EX	Gear Low Flow Meter ordered with MicroVision EX

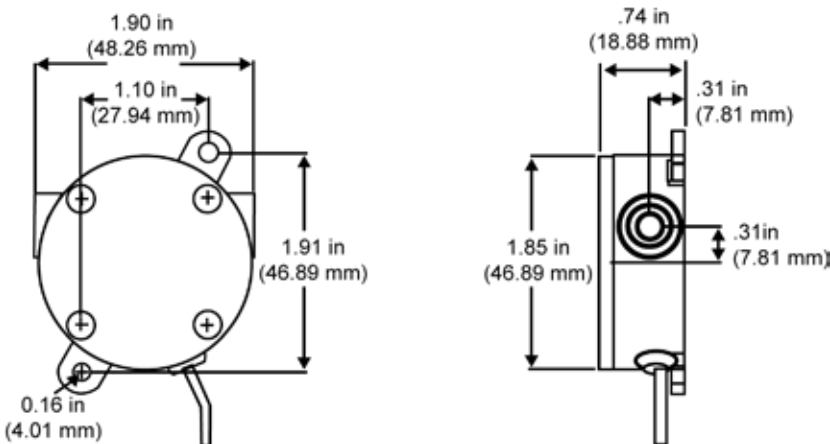
ENGINEERING DATA

Inlet and Outlet	1/8" FNPT
Precision of Reading (Calibrated)	±2%
Maximum Viscosity	1000 cSt
Flow Rate Range (GPH)	0.25 - 1.85
Maximum Operating Pressure	90 psi
Maximum Operating Temperature	140°F / 60°C
Pulse Type	Hall Effect Sensor
Sensor Cable Length	3 feet
Approximate Pulses/Liter (Water)	572
Flow Orientation	Bi-directional
Recommended Filter	30-90 Mesh Upstream
Wettend Materials	
Body and Spindle	PVDF
Gears	PVDF
Magnet	Ceramic
Seal	Viton
Gear Cover	PVDF

INSTALLATION DIAGRAM



DIMENSIONS



27101 Airport Road
 Punta Gorda, FL 33982
 Tel: (941) 575-3800
 Fax: (941) 575-4085
www.pulsatron.com



An ISO Certified Company