

# **PULSAFEEDER®**

Pulsafeeder's variable speed peristaltic metering pump the MEC-O-MATIC Series VSP, dispenser head is molded of highly chemical resistant polycarbonate and is designed to snap on and off without tools.

MEC-O-MATIC's self-lubricating roller assembly, included in the head assembly, makes possible long tubing life and the unique quick release, twist off head makes tubing replacement simple and fast.

The dispenser case is molded of a rugged, chemical resistant ABS. Mounting pads and a built-in wall mounting provision allow a choice of flat surface or wall mounted installation.

Continuous duty D.C. motor with electric control allows the VSP internal adjustment knob to decrease or increase the gear motor speed to regulate chemical metering. Gearing is permanently lubricated to reduce pump maintenance.

## Features

- Engineered to dispense low volumes of chemical at exacting amounts.
- Pump case is molded chemical resistant ABS.
- Mounting pads and a built in wall mounting provision allow a choice of flat surface or wall mounted installation.

## Controls



- On/Off Switch

## Operating Benefits

- Quick-release, twist-off, clear polycarbonate, acid-resistant head.
- Self-lubricating chemical resistant roller assembly.
- Durable, long-lasting tubing with no tube adjustment.
- Heavy duty shaded pole gearmotor with lifetime lubrication.



## Aftermarket

- KOPkits
- Gauges
- Dampeners
- Pressure Relief Valves
- Tanks
- Pre-Engineered Systems
- Process Controllers (PULSAblue, MicroVision)



## **MEC-O-MATIC** VSP Series Peristaltic Metering Pumps

# MEC-O-MATIC VSP Series

## Specifications and Model Selection

MODEL		VSP12	VSP20
Feed Rate	GPD	12	20
	(max.) LPH	1.89	3.15
Pressure	PSIG	25	
	(max.) BAR	1.72	
Head	Tubing	.19" I.D. x .38" O.D.	.25" I.D. x .44" O.D.
Connections	Tubing	.17" I.D. x .25" O.D.	

## Engineering Data

<b>Pump Head Materials:</b>	Chemical Resistant Resin
<b>Pump Head Tubing:</b>	Norpreen (standard) Viton Silicon
<b>Injection Fitting (standard w/check vlv):</b>	PVC
<b>Strainer:</b>	FPP
<b>Tubing:</b>	PE
<b>Pump Housing:</b>	Chemical Resistant Resin
Important: Material Code - PVC=Polyvinyl Chloride, PE=Polyethylene.	
<b>Power Input:</b>	120 V 50-60 HZ 24 VAC
<b>Max Ambient Temperature:</b>	104°F (40°C)
<b>Shipping Weight:</b>	7 lbs

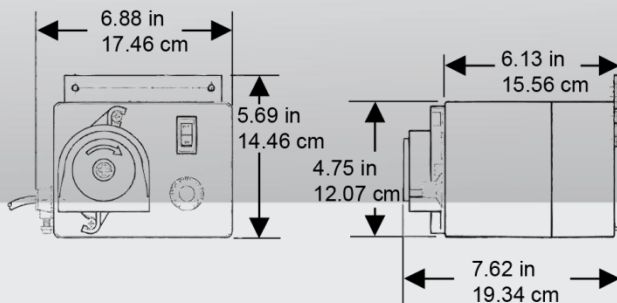
## Applications

- Cooling Towers
- Swimming Pools
- Boilers
- Agriculture
- Laundries
- Livestock
- Food Processing
- Residential Water Treatment
- Car Washes
- Photo Processors
- Metal Finishing
- Warewashing

## Typical Installation



## Dimensions



**PULSAFEEDER**

27101 Airport Road  
Punta Gorda, FL 33982  
Phone: ++1(941) 575-3800  
Fax: ++1(941) 575-4085

www.pulsatron.com



An ISO 9001 Certified Company

MOM004 H14

**IPEX**  
FLUID & METERING